

FULTON

Standard Features:

- Premium high-density, high-resiliency foam seat cushions encased in down
- Sinuous spring suspension
- Semi-attached back cushions with lumbar support
- Semi-attached seat cushions
- Single-needle top-stitch with thick thread
- In-arm control panel is easy to use and includes a 2-amp USB charging port
- Control panel is LED backlit with auto-off after 5 seconds
- Lifetime warranty on frame and suspension
- Three-year warranty on mechanism and motor
- Quick-ship delivery

Options:

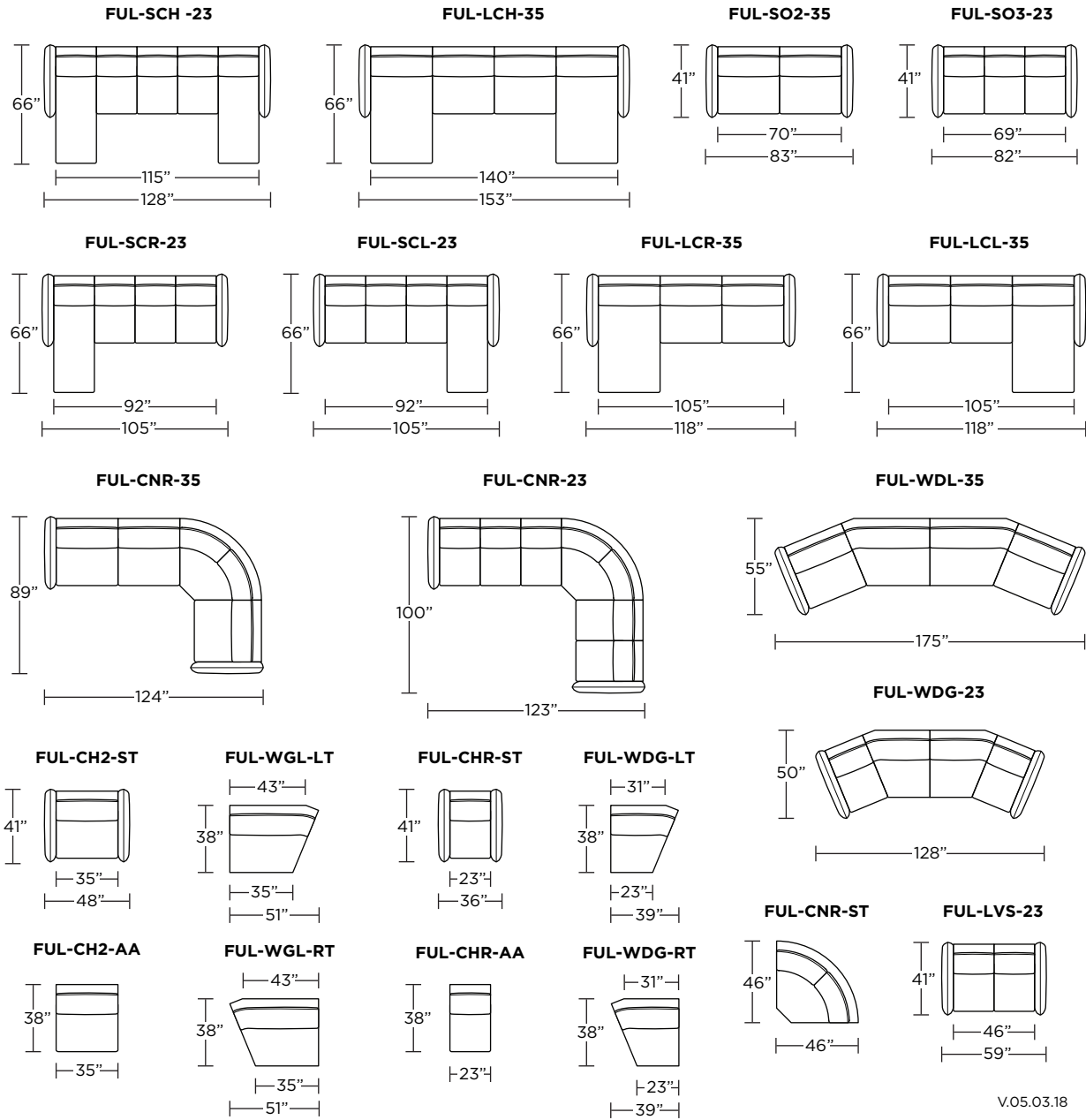
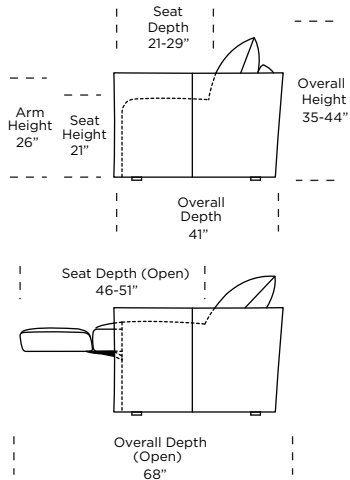
- Premium high-density, high-resiliency foam seat cushion
- Contrasting detail stitch available
- Contrasting back and seat cushions available (two-tone)
- 1.8-amp hour lithium-ion battery pack available
- Battery pack has a one-year warranty
- Easy disassembly for delivery

Please use actual leather, fabric, Crypton®, Sunbrella® and Ultrasuede® swatches when specifying furniture as the colors shown may vary due to the printing process.

Note: Microfiber fabrics such as SUEDELIFE and VEELIFE not suggested for this style

Wall Clearance is 5" at full recline.

Wall Clearance is 9" at full recline with back cushion raised.



Safe low voltage electrical components are UL listed.

Scale : 1/8 inch = 1 foot
 All dimensions are approximate and subject to change.
 Specify all components from the sitting position.

V.05.03.18